

Save Time & Money by Finding the right products - Quickly and Easily With The Automann Catalog System!

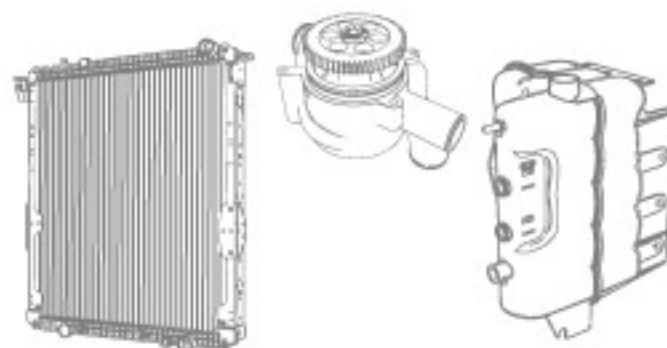
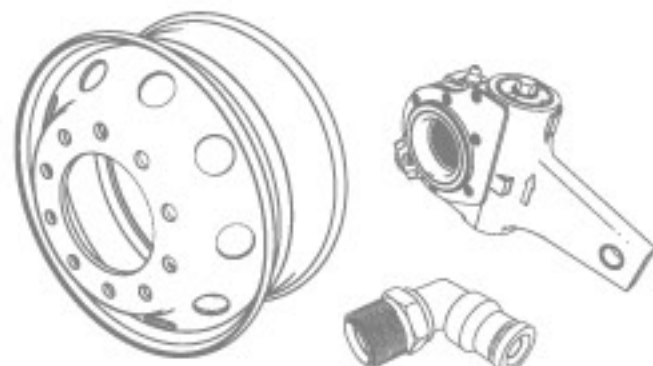
LOOK FOR OEM CAPTIVE REPLACEMENT PARTS HERE

Automann has recreated over 28,000 product images which display at increased resolution, and an additional 2,000 products can now be viewed in 360 degrees, with simple to use rotation controls.

The company continues to add 360 degree views for more products every month.

You will find:

- Product wizards to help guide you through product identification
- Online schematics with clear assembly diagrams and clickable item links to related product pages.
- Quick and easy searching by Interchange number, Automann number or Keyword
- Browse by Products feature, with an intuitive menu system sorted by categories.



Visit Us On-Line & Get Your Personalized Login Code!

<http://www.pinwood.com/index.php?page=AutoMann-Catalog>



COMBER LOCATION CHATHAM LOCATION

SARNIA LOCATION

7025 Industrial Dr.,
Comber, ON

9557 Longwoods Rd.,
Chatham, ON

1127 McGregor Rd.
N., Sarnia, ON

Tel: (519) 687-2800
Fax: (519) 687-2700

Tel: (519) 352-3780
Fax: (519) 352-9283

Tel: (519) 344-8809
Fax: (519) 344-9613