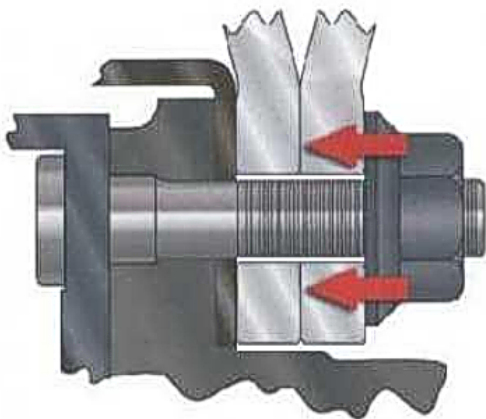


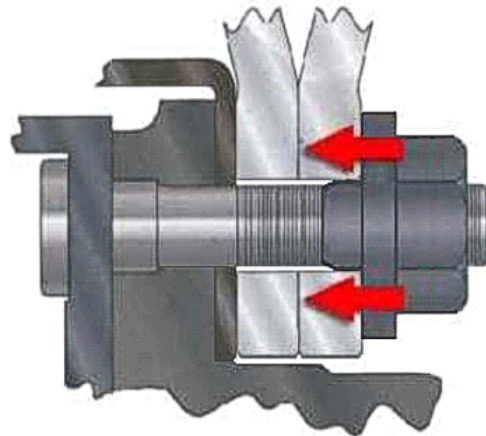
Skirt Nuts Sold Here!

This is a
typical
flange nut
fit:



THIS . . . is a
safe, smooth-
riding *Skirt Nut*
fit!

fit!



- Simple, Spin-on Replacement!
- NO Re-torques Required!

Here's why **Skirt Nuts** are superior to all other wheel fastening systems!

1. **Skirt Nuts** keep your wheels on tightly, safely, whether duals or singles. Wheels run smoothly, no surprises. Simply remove the old-style 22mm nuts, then spin on **Skirt Nuts**.
2. **Retorques not required! SAE torque range 370 - 500 ft/lbs** handles all applications including extra heavy duty. Singles, duals, super singles - if it's 22mm, **Skirt Nut** handles it all!
3. **Skirt Nuts** add no extra components to your wheel system, no extra parts to affect balance or wear! **No** risky parts mix-ups!
4. **Skirt Nuts** install easily and center your wheels automatically - **eliminate vibrations** and uneven tire wear!
5. **Skirt Nuts** won't freeze to your studs, do not need regular replacement, estimated service life is ten years and more.
6. **Skirt Nuts** come with a full FIVE-Year Warranty!

